

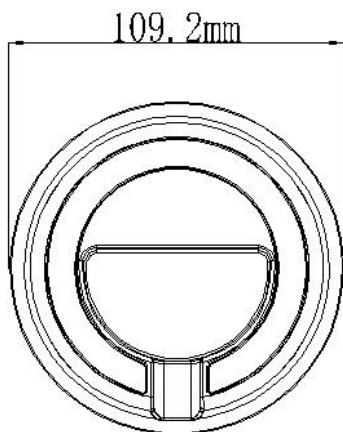
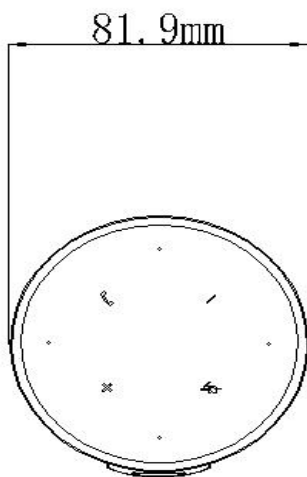
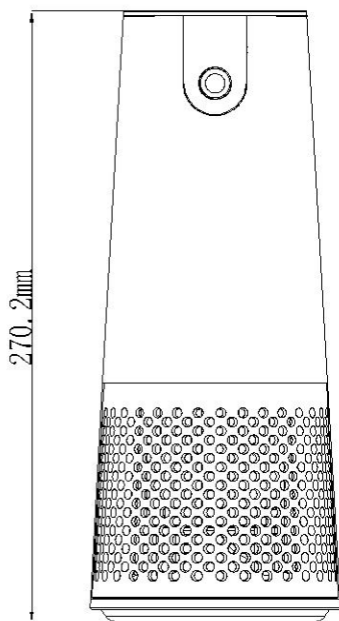
All-In-One Video Conference Camera



Functions

- Omnidirectional 4 microphones array algorithm, 5-meter far-field clear voice pickup
- Exclusive AI noise-suppression technology, significantly increase concentration of conference participants
- Real full-duplex, HQ uninterrupted communication
- 100° full HD wide-angle camera, in-person conference experience
- Plug & play, general compatibility with leading online conference platforms
- Audio & video all-in-one, intuitive control experience

MNA-VC2-MSU	
Features	
Wide-Angle Camera	100° Ultra Wide-Angle
Non-Distortion	Supported
High-Quality Wideband Speaker	Supported
Clear Uninterrupted Full-Duplex Communication	Supported
Image Spec	
Self-Adaptive Skin Toning	Supported
Lens Distortion Correction	Supported
Anti-Flickering	Supported
Automatic Exposure	Supported
Automatic White Balance	Supported
3D Denoise	Supported
Video Specs	
WDR	Supported
Video Output	FHD 1080P@30fps
Aspect Ratio	16:9
UVC Compatibility	1.1 / 1.5
USB 2.0 Transmission	MJPEG and H.264
Camera Specs	
Aperture	F / 2.4
Pixel	2MP
Image	1080P Video Output
FOV(H)	100°
FOV(V)	62°
TV Distortion	< 1%
Audio Specs	
Maximum Background Noise Suppression	24dB
Full-Duplex	When the gap of acoustic intensity between the near-end and far-end is less than 50dB
Echo-Cancellation	Echo Cancellation ≥ 30 dB
AGC	Automatic Gain Control *Within 5-Meter Range
Reverberation Suppression	RT60<1s
AI-based Speaker Detection	Supported
AI-based Noise-Suppression	Supported
Microphone Specs	
Microphones	4-Element MEMS Microphone, 360° Omnidirectional Array
Sensitivity	-32dB FS94dB SPL@1KHZ
SNR	64dBA
Effective Voice Pickup Range	5 Meters (In conference rooms with low SNR, the actual voice pickup radius can be 5 meters or less)



Speaker Specs	
Peak Power	5W
Rated Output Power	3W
Speaker Frequency Response	20Hz ~20kHz
Speaker Volume	90dB SPL @0dB 1kHz at 0.5m
THD	<=1%
Configuration Requirements	
PC Windows or Linux, Mac OS with USB Connection	Supported
Input / Output	
USB Power Supply	5V/500mA
Data Transmission over USB Type-C	Supported
USB 2.0	Supported
Installation Method	
Desktop	Supported
Appearance Color	
White	Supported
Weight	
Net Weight	618g
Gross Weight	1260g
Dimensions	
Product Dimensions	270mm(H)*110mm(Φ)
Package Dimensions	335mm(L)*145mm(W)*125mm(H)